

MxL-FN-xxx-AOM

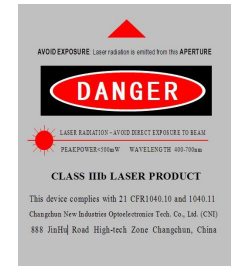
HIGH FREQUENCY MODULATED ALL-SOLID-STATE LASER

The modulation frequency of high frequency modulation laser system is up to 1MHz. It can be used in the field like laser graphic processing, laser digital communications, etc. It have the feature of high extinction ratio, coding easily, usability, etc

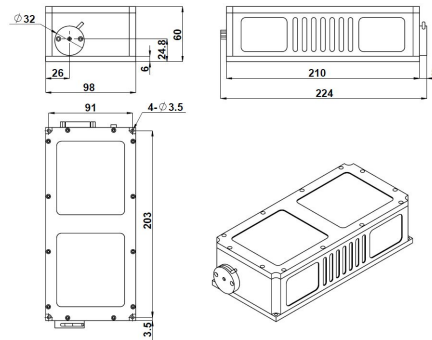


SPECIFICATIONS

| | | | | | |
|-----------------------------------------------------|------------------------|------------------|------------------|------------------|------------------|
| Wavelength (nm) | 473 ± 1 | 532 ± 1 | 556 ± 1 | 561 ± 1 | 671 ± 1 |
| Output power (mW) | >50,60,...,150 | >150,200,...,400 | >1,10,20,...,100 | >1,10,20,...,100 | >100,150,...,300 |
| Power Stability (rms,over 4 hours) | <1%,<3%,<5% | | | | |
| Transverse mode | Near TEM ₀₀ | | | | |
| M ² factor | <1.5 | | | | |
| Beam Diameter at the aperture 1/e ² (mm) | ~3.0 | | | | |
| Beam divergence, full angle (mrad) | <1.5 | | | | |
| Polarization ratio | > 100:1 | | | | |
| Warm-up Time (minutes) | <10 | | | | |
| Pointing stability after warm-up (mrad) | <0.05 | | | | |
| Beam height from base plate (mm) | 24.8 | | | | |
| Operating temperature(°C) | 10~35 | | | | |
| Power supply (90-264VAC) | PSU-H-FDA-AOM | | | | |
| Modulation | >1MHz | | | | |
| Expected lifetime (hours) | 10000 | | | | |
| Warranty | 1 year | | | | |

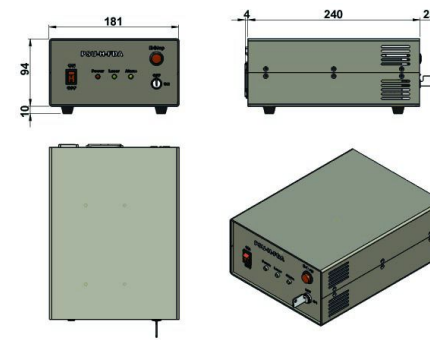


MxL-FN-xxx-AOM



224(L)×98(W)×60(H) mm³,1.9kg

PSU-H-FDA-AOM



269 (L) ×181(W) ×104(H) mm³, 2.7 kg